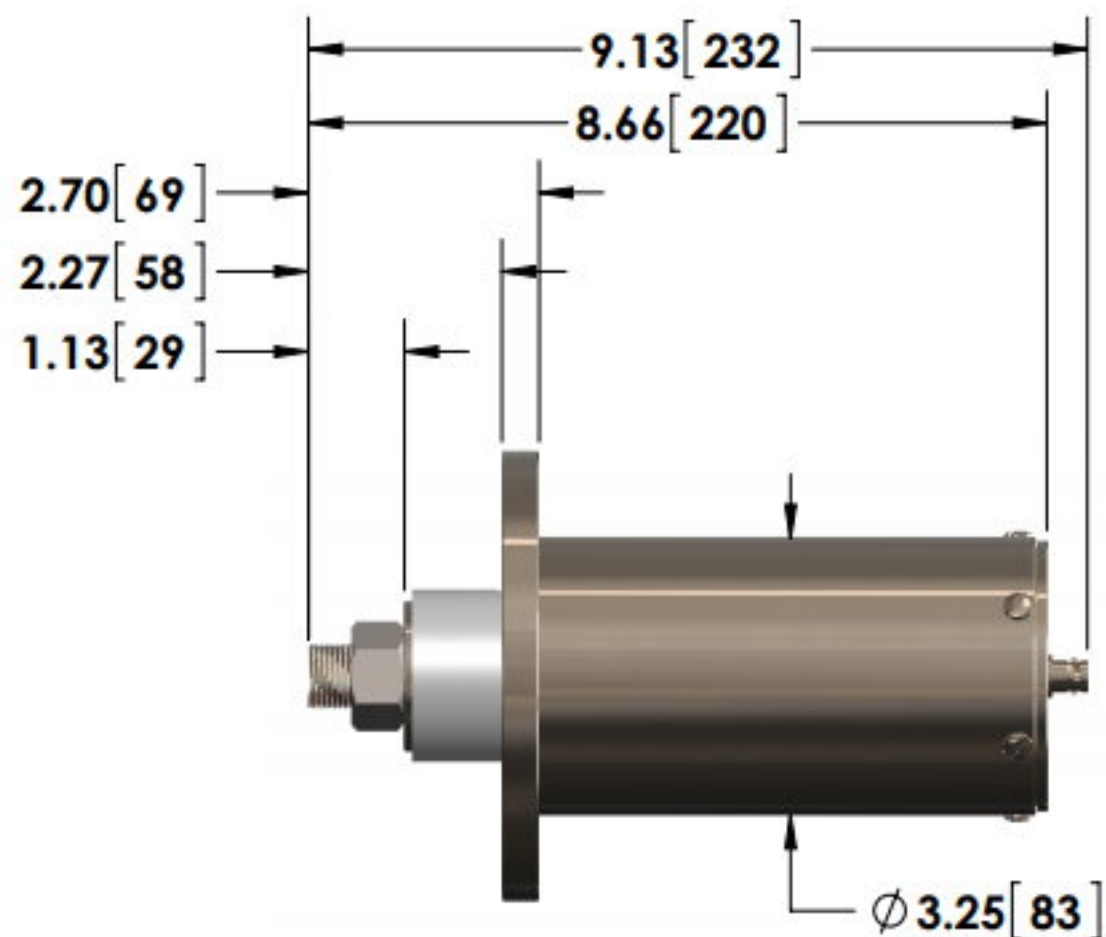
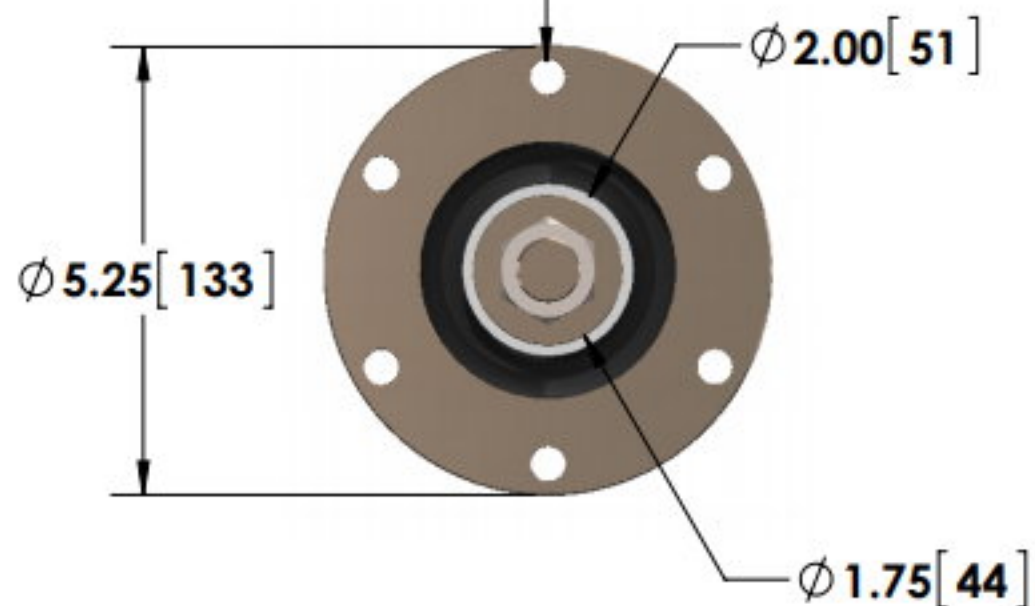


- 3/4-16 Stud Input w/ Nut
- BNC (Amphenol) Output

6X  $\phi$  .41 [ 10 ] THRU  
ON A 4.50 [ 114 ] BOLT CIRCLE



Specifications subject to change without notice.



T & M RESEARCH PRODUCTS, INC.

TITLE:

**K SERIES - 120 WATT UNIT**

DIMENSIONS:

inch[mm]

DATE:

**04-01-2015**